

MVDM Series Digital Pressure Gauge

Features

- 4 digits LCD showing pressure accurately in real time, easy for observation
- Various pressure units, zero clearing, backlight, on/off functions
- Battery powered, low-power design, keeping working for 12 months
- High-precision pressure sensor adopted



Application

- Machinery and electronics
- Supporting equipment of instruments
- Pressure laboratory
- Mechanical engineering automation

Notes:

- 1 Do not touch the diaphragm with hard objects, which may cause damage to the diaphragm.
- 2 Please read the Instruction Manual before the product carefully installation and check the relevant information of the product.
- 3 Strictly follow the wiring method for wiring, otherwise it may cause product damage or other potential faults.
- 4 Misuse of the product may cause danger or personal injury.

Overview

MVDM is a high-precision intelligent digital pressure gauge. It has a high-precision sensor and displays pressure accurately in real time. It has advantages of high precision and good long term stability.

MVDM is equipped with a large size LCD, featuring with functions of zero clearing, backlight, on/off button, and units switching. It is convenient to install and easy to operate.

The housing and connector of MVDM are made of stainless steel 304 with excellent vibration resistance. It can be used to measure gas, liquid, oil and other non-corrosive medium of stainless steel.

MVDM is applicable to portable pressure measurement and equipment supporting and calibration fields.

Notes:

- 1 Do not misuse documentation.
- 2 The information presented in this product sheet is for reference only. Do not use this document as a product installation guide.
- 3 Complete installation, operation, and maintenance information is provided in the instructions of the product.
- 4 Misuse of the product may cause danger or personal injury.

Technical features

Measuring ranges	-1...0 bar / 0...1000 bar (Select as below described)
Reference pressures	Gauge pressure, Absolute pressure, Sealed gauge pressure
Accuracy	0.5%FS
Process temperature	-10~70°C
Ambient temperature	0~60°C
Backlight display	White
Electrical protection	Anti electromagnetic interference design
Sampling rate	5/sec
Protection class	IP 50
Housing diameter	80 mm
Overpressure	150%FS
Longterm stability	±0.2%FS/yıl (standard)
Power supply	2 x AAA battery
Material	304 SS housing, 316L diaphragm and connection

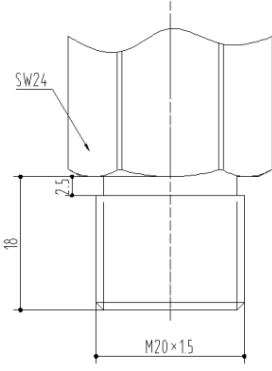
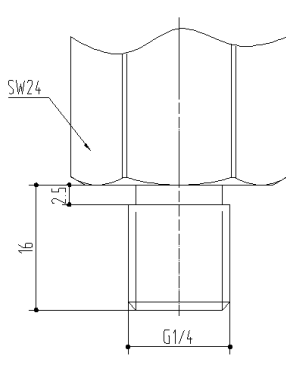
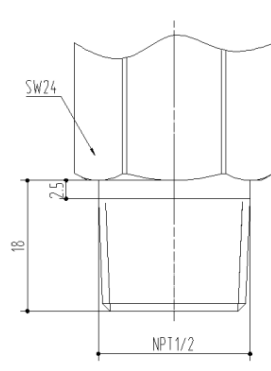
1. We will not accept orders for non-standard ranges without confirming with our sales/technical staff.
2. For other non-standard ranges, please confirm with our sales/technician first.
3. If any adjustments are made later, we will notify you separately.

Model selection

MODEL	PROSES BAĞLANTISI	ÖLÇÜM ARALIĞI
MVDM	10 G ¼" male thread	-1....0 bar / 0...1000 bar Enter the range as in the example. Enter V for vacuum and P for pressure.pressure. Example 1: P0/0010 = 0-10 bar Example 2: V-1/0 = -1-0 bar
	20 G ½" male thread	
	30 ½" NPT male thread	
	YY Özel istek	

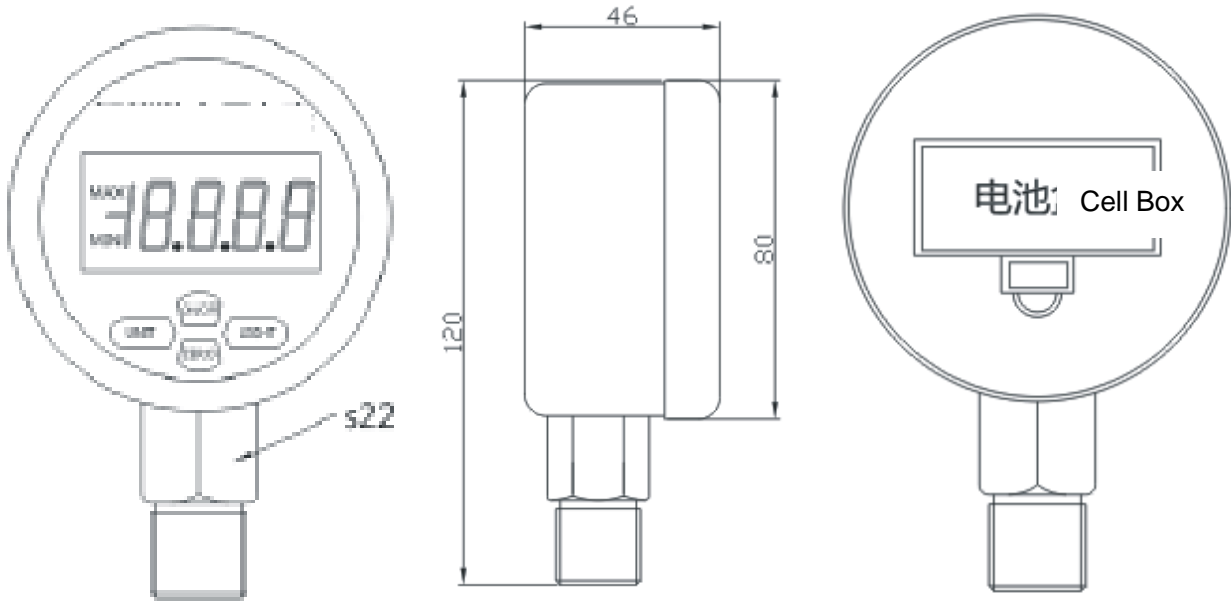
EXAMPLE: MVDM-20-P0/0250AA (G 1/2" male thread, 0...250 bar)

Proses tarafı ebatlar

Type	C1: M20×1.5	C3: G1/4 "	C7: NPT1/2 "
Dimensions (mm)			

Note: Common threads are M20×1.5, G1/4", G1/2," M14×1.5, NPT1/4" and NPT1/2".
Special threads can be manufactured for bulk orders.

Structure & dimensions



Dimensions (mm)